

HIGHLY EFFICIENT HARD MOUNTED WASHER EXTRACTORS

PC
RANGE

PC40

18KG



FEATURES

- Hard-mount, medium spin, up to 200 G-factor
- Stainless steel drum and tub
- Control: Xtronic OPL – easy to use microprocessor
- 4-compartment soap box
- One piece cast bearing housing: long life span
- Heavy duty variable speed motor: smooth start and stop
- Patented “Water Guardian”: detects leaking valves
- Durable door latch and lock mechanism
- Large door opening: easy loading & unloading

OPTIONS

- Xtronic VEND – 4 cycles
- Liquid soap pumps

MODEL	PC40	
CONTROL OPTION	Xtronic OPL Xtronic VEND	
CAPACITY - kg	18	
OVERALL WIDTH - mm	778	
*OVERALL DEPTH - mm	1009	
OVERALL HEIGHT - mm	1199	
CYLINDER DIAMETER - mm	667	
CYLINDER DEPTH - mm	514	
CYLINDER VOLUME - liters	180	
DOOR OPENING SIZE - mm	413	
DOOR BOTTOM TO FLOOR - mm	368	
WATER INLET CONNECTION - mm	19	
DRAIN DIAMETER - mm	76	
DRAIN HEIGHT TO FLOOR - mm	122	
MOTOR POWER CONSUMPTION - hp (kw)	2 (1.7)	
TOTAL # OF SPEEDS	6, 9	
CYLINDER SPEEDS - RPM (G-FORCE)	Gentle	33 (0.4)
	Wash	46 (.8)
	Distribution	82 (2.5)
	Very Low	269 (27)
	Low	464 (80)
	Medium	518 (100)
	** High	579 (120)
	**Very High	635 (150)
	**Ultra High	733 (200)

*** VOLTAGE/ CIRCUIT BREAKER - FLA	B	120/60/1	20-16
	X	200-208/220-240/50/60/1/3	15-7 (1 Ph) 15-4 (3 Ph)
	Q	200-208/220-240/50/60/3	15-4
	N	440-480/50/60/3	15-3
	P	380-415/50/60/3	15-3

SHIPPING DIMENSIONS APPROX. - mm	Width	826
	Depth	1105
	Height	1361

NET WEIGHT - kg	249
-----------------	-----

SHIPPING WEIGHT - kg	268
----------------------	-----

SLAT CRATE SHIPPING WEIGHT - kg	313
---------------------------------	-----

****AGENCY APPROVALS	ETL _{us} , CE
----------------------	------------------------

***High, Very High, and Ultra High Spin Speeds are available on the Xtronic OPL models only.

***Circuit breaker and amp draw data shown are for models without electric heat. Consult factory for other configurations. Manufacturer strongly recommends using a circuit breaker instead of fuses. Use 3-pole circuit breakers for 3-phase machines.

****Agency approvals may vary depending on configuration. Consult factory for details. Steam connection requires 1/2" N.P.T.

For the most accurate information, the installation guide should be used for all design and construction purposes. Due to continuous product improvements, design and specifications subject to change without notice. The quality management system of Alliance Laundry Systems has been registered to ISO 9001.

Xtronic OPL

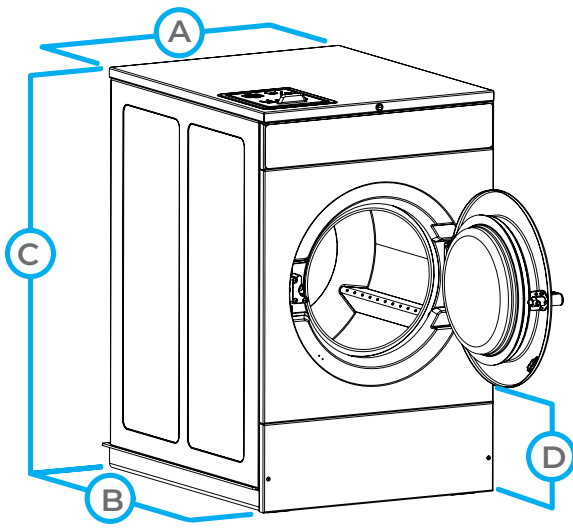


Customize your washing power with the ability to choose between three water levels while eliminating wasted water with advanced leak detection. PC programming, audit data retrieval and advanced diagnostics save time, while 200 G-Force extraction speeds reduce drying time and utility consumption.

Xtronic VEND



For laundry managers requiring basic management options, Xtronic VEND offers a 100 or 200 G-Force extraction speed, 4 cycle selections, 30 water levels, 2 cycle modifiers (Extra wash, Extra rinse) and manual programming.



MODEL	PC40
A. OVERALL WIDTH - mm	778
B. *OVERALL DEPTH - mm	1009
C. OVERALL HEIGHT - mm	1199
D. DOOR BOTTOM TO FLOOR - mm	368